

AUTHENTIC

herringbone

click laminate flooring

Easy to Install

Easy to clean

Durable

25 Year Warranty



Box contains : 36 pieces
Pack Size : 2.203m²

Board Dimensions : 12mm x 101mm x 606mm
Fit for Use grading : AC4/W32

Two different types of boards are used to lay out the herringbone pattern. These are referred to as A and B boards.
N.B. - Please separate A and B panels into 2 separate stacks prior to commencing installation.

Care Instructions

Authentic herringbone click laminate flooring is extremely easy to clean.

Routine Cleaning

- Vacuum, use a dust mop or wipe with a damp cloth. For spills, just wipe up with a cloth, do not wet mop laminate flooring.
- Do not use soap-based detergents, as these may leave a dull film on your floor.
- Do not wax or polish your floor.
- Do not use abrasive cleaners, steel wool, or scouring powder, which can scratch your floor.
- Laminate flooring, like other types of smooth floors, can become slippery when wet. Allow time for floor to dry after washing. Immediately wipe up wet areas caused by spillages, foreign substances and wet feet.

Tough Spots

- Remove tough spots eg. shoe polish with neat acetone.** Then wipe with a damp cloth.
**may be combustible/flammable, please follow instructions on label

Protection

Place a natural or colourfast mat at outside entrances to collect tracked-in dirt and absorb excess moisture

For added protection to the flooring surface, use floor protectors on chairs and other furniture. The heavier the item, the wider the floor protector should be.

25 Year limited Warranty

What is covered and for how long?

We guarantee that to the original purchaser, for 25 years from the date of original purchase and in a dry residential indoor setting, your laminate floor will be free from manufacturing defects and the decorative paper will not show signs of wear.

What will we do if any of the things listed above happen?

If you make a claim within the warranty period and follow our servicing procedures, we will provide materials either to repair the defective area or replace the floor, at our discretion.

What is not covered by this warranty?

This warranty does not cover damage caused by:

- Improper care and maintenance
- Accidents, abuse or misuse
- Abnormal wear and tear such as damage caused from "untipped" spike heel shoes, insufficient protection from furniture, pebbles, sand and other abrasives
- Improper workmanship, or installation not in accordance with our installation instructions
- Water damage from moisture in a concrete slab, hydrostatic pressure, flooding caused by ice makers, refrigerators, sinks, dishwashers, pipes or natural disasters
- Planks coming apart at the seams because they have been engaged/disengaged more than three times
- Damage caused by vacuum cleaner beater bars and hard or metal castor wheels - when vacuuming we recommend using the wand attachment on your vacuum. If rolling castors are used, we recommend only soft wheels that are wide enough to support the load
- Damage caused by pet urine which has not been promptly wiped up and removed
- Painted bevelled edges

We exclude and will not pay for incidental or consequential damages under this warranty. By this we mean any loss, expense or damage other than to the flooring itself that may result from a defect in the flooring. No implied warranties extend beyond the terms of this written warranty.

How do I get service?

We want you to be happy with your floor. If you're not, call your retail store. They can answer your questions.

Please keep your receipt, we need this in order to verify date and proof of purchase to resolve any problems that may occur.

Where to Install

All floor areas including basements. Over smooth, well bonded vinyl floors, over concrete, ceramic tile, terrazzo, marble and board type underlayments.

Subfloor preparations

Subfloor must be clean, dry and level. Remove existing skirting or trim. Door trims and doorjamb must be undercut to allow the floor to move freely.

Fitting Guide

What type of Underlay should I use?

Firstly, the type of underlay you need will depend on the sub-floor that you're fitting your new flooring on top of. Usually the sub-floor is either a concrete base or wooden floor base. If the sub-floor is concrete then usually you'll need an underlay that has a moisture barrier, a built-in DPM (Damp Proof Membrane) or a separate barrier installed. This is to ensure your flooring is protected from and doesn't get ruined by damp. If the sub-floor is wooden, most underlays will do the job

Laminate flooring underlay

Most underlay products will be suitable to use when installing a laminate floor, as laminate floors are generally fitted as a 'floating floor' – whereby the flooring is fitted into place by clicking together without the need to glue it down or glue the joints.

So as mentioned above, the underlay you should use for a laminate floor will depend on the type of sub-floor – if it's concrete then you will likely need an underlay with a moisture barrier or will need to install a separate barrier.

If the sub-floor is wooden then you have a choice of underlays to choose from and you may want to consider whether you're looking for an underlay that's suitable for under-floor heating or one that has better sound-proofing qualities.

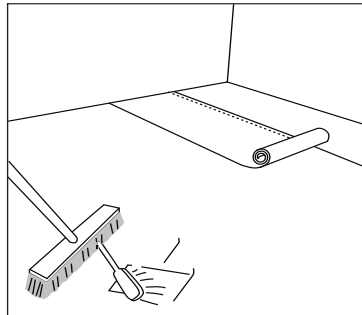
Recommended Underlays

Concrete sub-floor underlays - Finfoor Woodlay or Combilay with vapour barrier.

Wooden sub-floors underlays - fibreboard or Aerothene.

Underfloor heating - must have minimum floor coverage of 85% of total area.

N.B. follow the operating instructions.



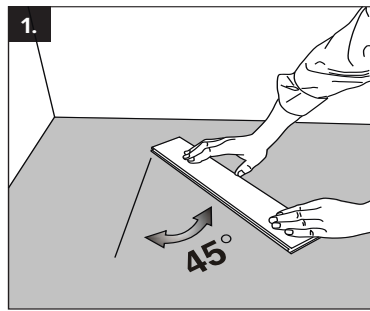
Preparations:

Check the panels and make sure that the surface has no transport damaging before you start. After cleaning the subfloor you can roll over the vapour barrier and underlay overlap minimum 20cm.



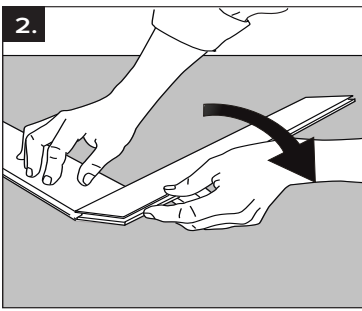
Door mouldings and skirtings:

Put a panel (with the decorative side down) next to the door moulding and saw as shown in the figure. Then slide the panel under the moulding.



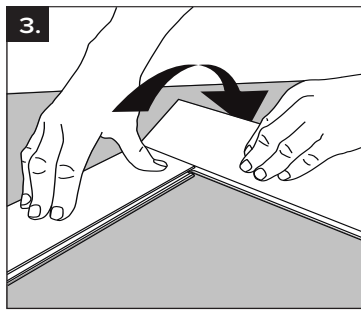
1. Getting started

Choose a wall to start at and begin installing at the left corner. Start with an **A-panel** and place it with its long side facing the left wall at an angle of 45°. **Make sure that the distance between the left wall and the panel is less than the length of one panel.**



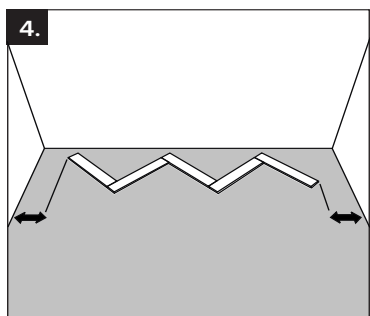
2. Connect next panel

Continue with a **B-panel**. Press the long side of the B-panel at an angle against the short side of the previous installed A-panel. Fold down the B-panel flat to the floor to lock the panels tightly together. Check that the grooves on the two panels form a continuous line.



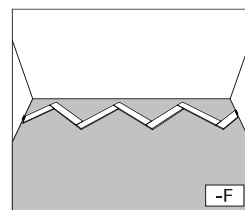
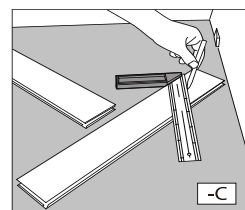
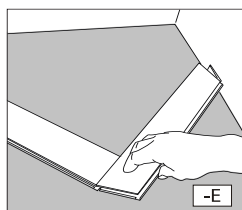
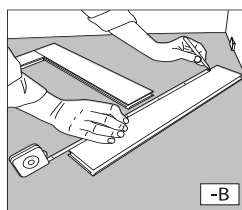
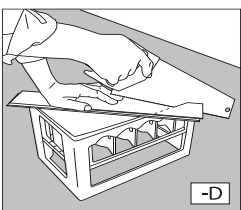
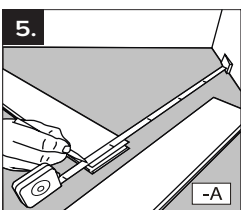
3. Connect additional panels

Next panel is an A-panel. Again, press the long side of the new A-panel at an angle against the short side of the previous B-panel and fold down. Continue like this with as many panels as may fit along the starting wall.



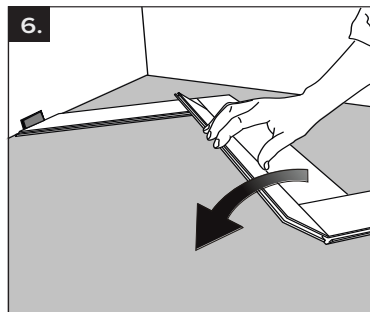
4. Center the first row

Check that the first row of panels is centered along the starting wall. Make sure that the distance to the walls on both sides are less than the length of one panel. If not, add a panel at the right side.



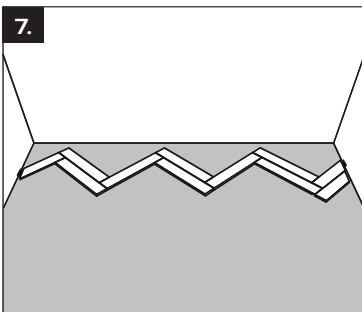
5. Cut the end panels to size

Measure and cut the end panels to size using a fine-toothed saw. Finish the first row with the cut end panels. Make sure that you leave a gap of 10/12mm to each wall.



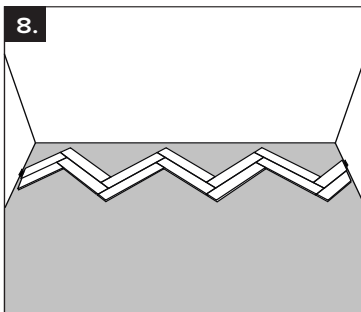
6. Start the second row

Start the next row with an A-panel. Place the new panel against the previous row and fold down.



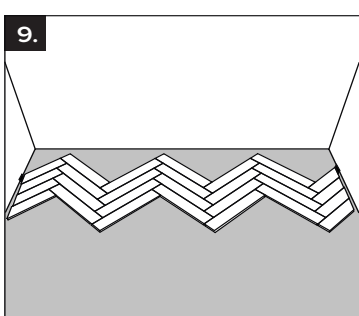
7. Install the A-panels

Continue from the left to the right and install all the A-panels in the second row. Finish with a piece of panel cut to size (step 5).

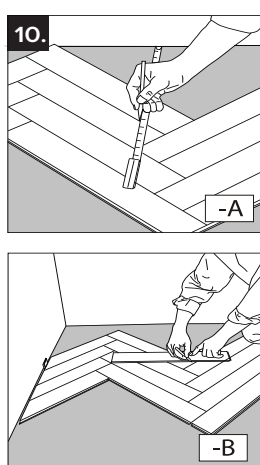


8. Continue with the B-panels

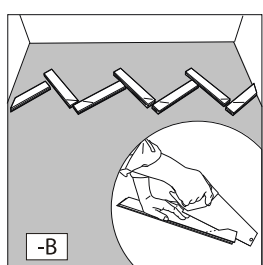
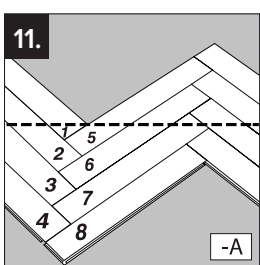
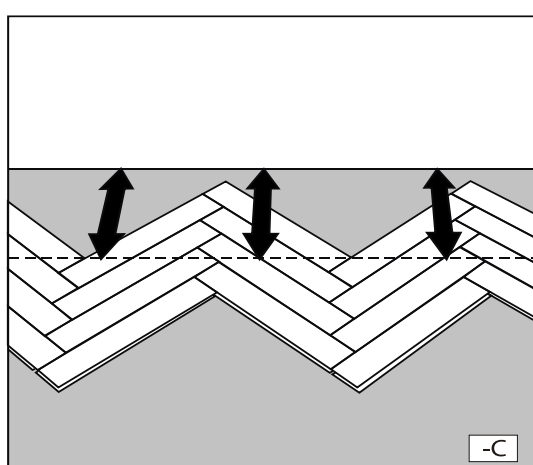
Now work in the opposite direction, from the right to the left and install all the B-panels in the second row. Finish with a piece of panel cut to size (step 5).



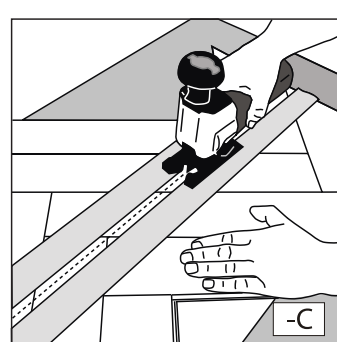
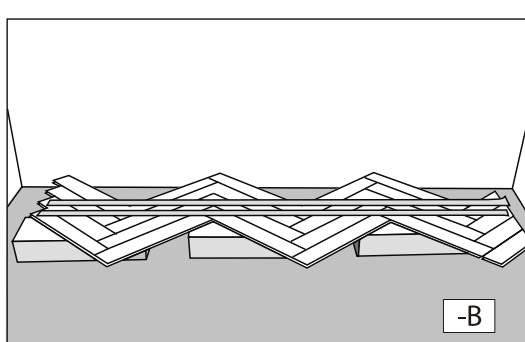
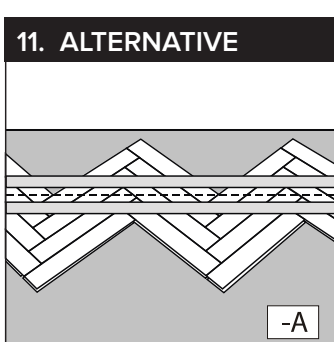
9. N.B - Complete four rows
Important Note: Install additional rows to complete four full rows.



10. Adjust the starting rows
 The first four rows have to be cut parallel to the wall. Measure and mark where to cut the floor panels at a fixed / parallel distance to the wall.

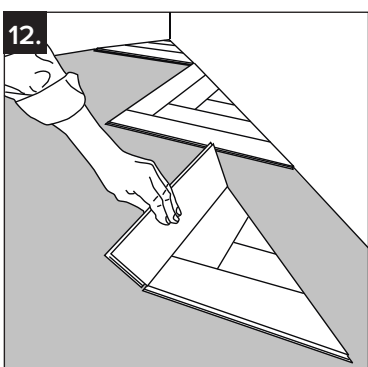


11. Dismantle and cut
 Number the panels from 1 to This will allow you to keep the panels in order. Dismantle the panels and cut them to size along the previous marked line.

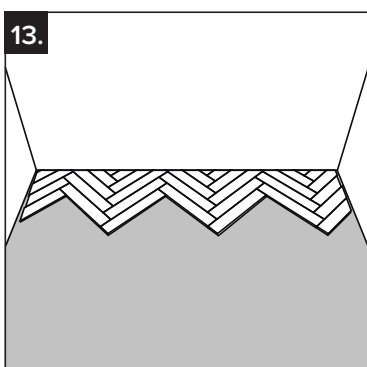


11. Alternative way to cut the first rows

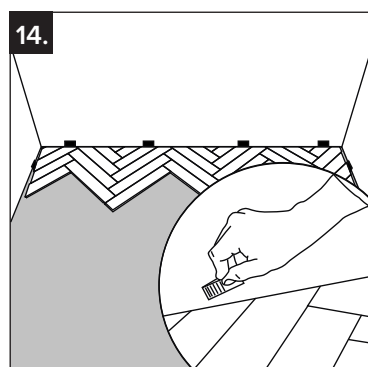
Leave the left end-panels uninstalled. Tape along the marked line and place the flooring on top of a few flooring packages. Cut along the marked line. Then put the adjusted rows into place. Complete the first rows by installing the remaining end-panels. Start with the end-panel in the last row and finish at the first row



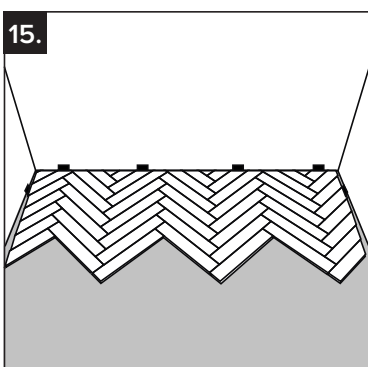
12. Install the starting triangles
 Connect the cut starting panels to form triangular shapes, one by one. Start installing the triangles from the left corner. It is recommended to use glue to fix the smallest parts of the triangles into place by applying a small quantity of glue inside the groove.



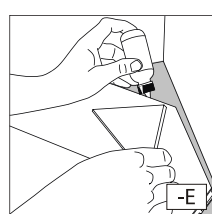
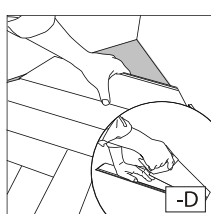
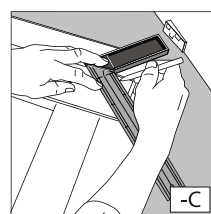
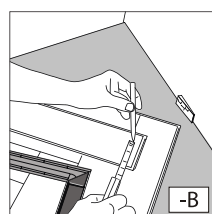
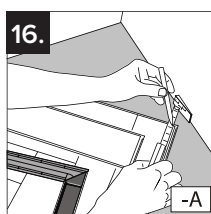
13. Install a few more rows
 Connect the triangles by installing a few additional rows of panels. Start each row from the left to the right with the A-panels, finish with the cut piece of panel (step 5) and then install all the B-panels in the row. Finish with the left end panel, cut to size.



14. Put in spacers
 Put in spacers between the flooring and the wall to ensure a expansion gap of 10/12mm.

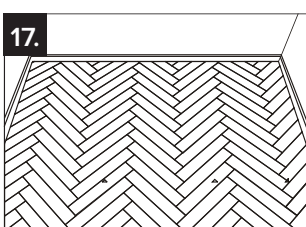


15. Subsequent rows
 Start each subsequent row by installing the A-panels from the left to the right and complete the row by laying the B-panels from the right to the left.



16. Last row
 Measure and cut the panels in the last row to size.

 It is recommended to use glue to install the smallest pieces of panels. Apply a small quantity of glue inside the groove.



17. Spacers and skirting
 Remove the spacers and cover the expansion gap with skirting boards or beadings.

